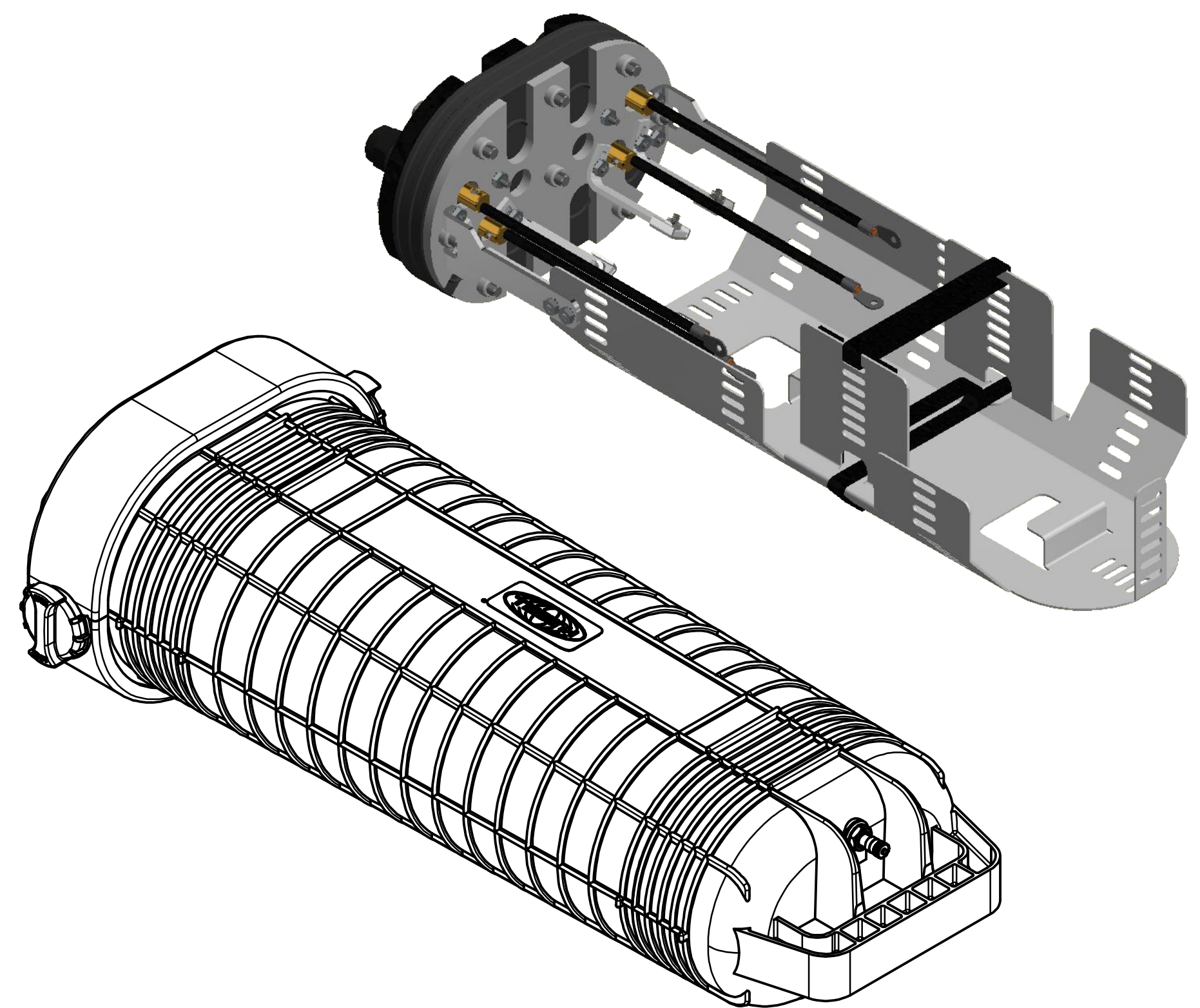
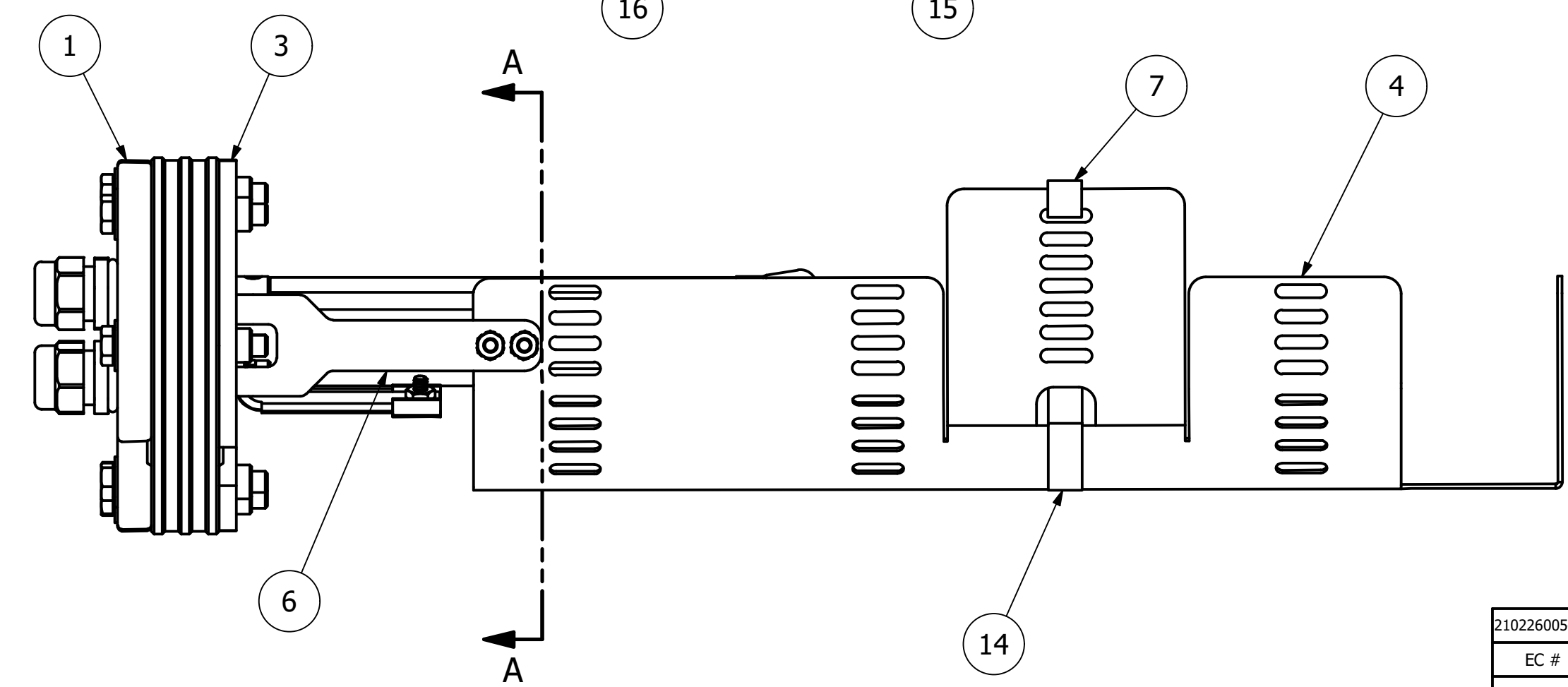
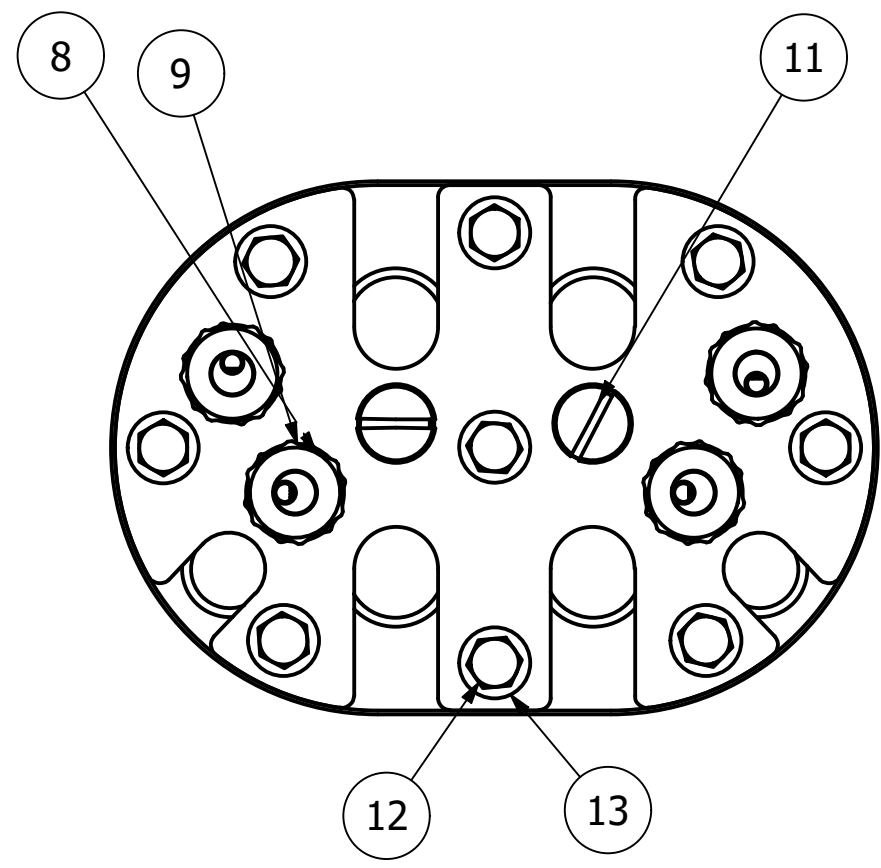
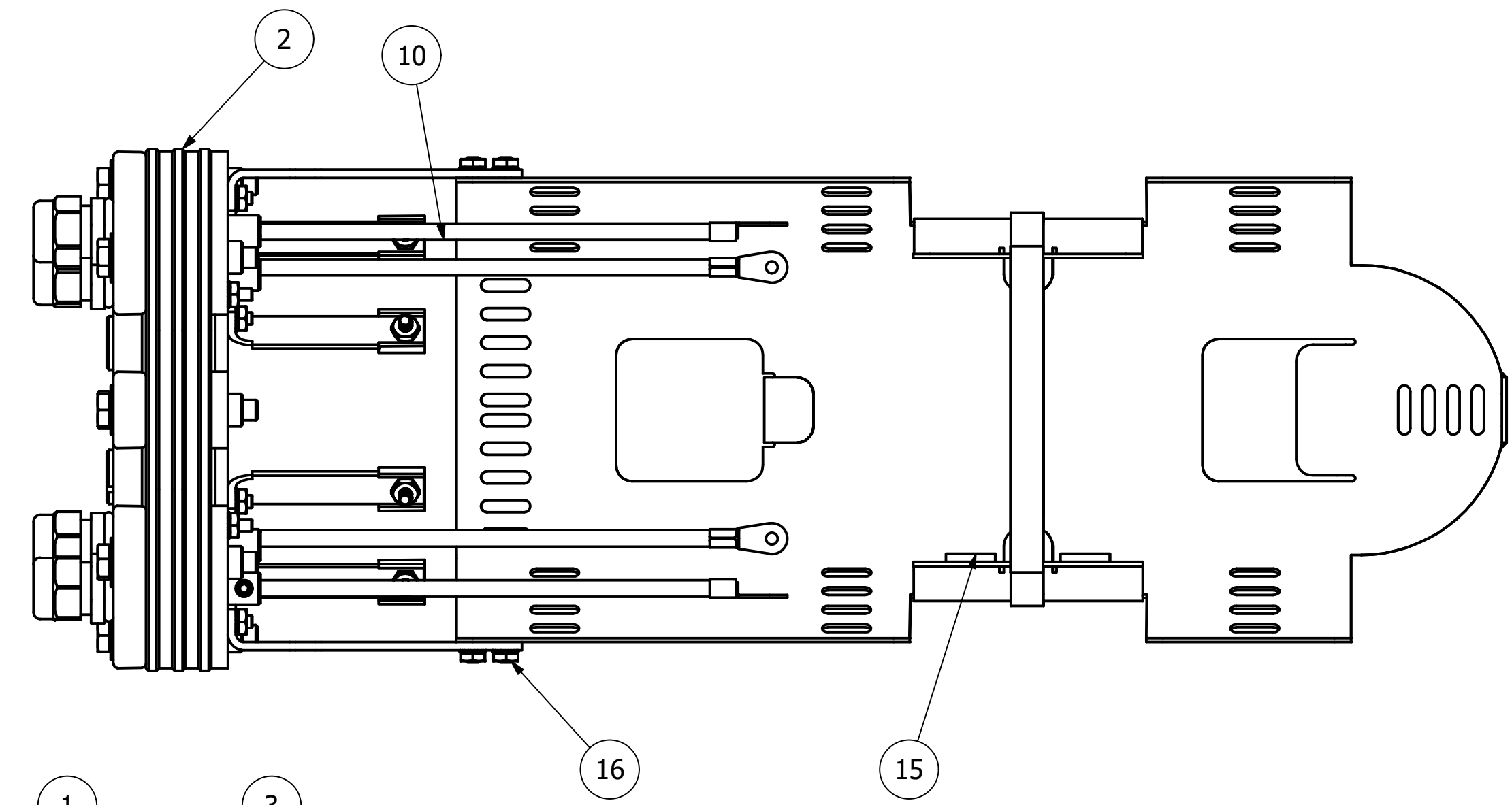
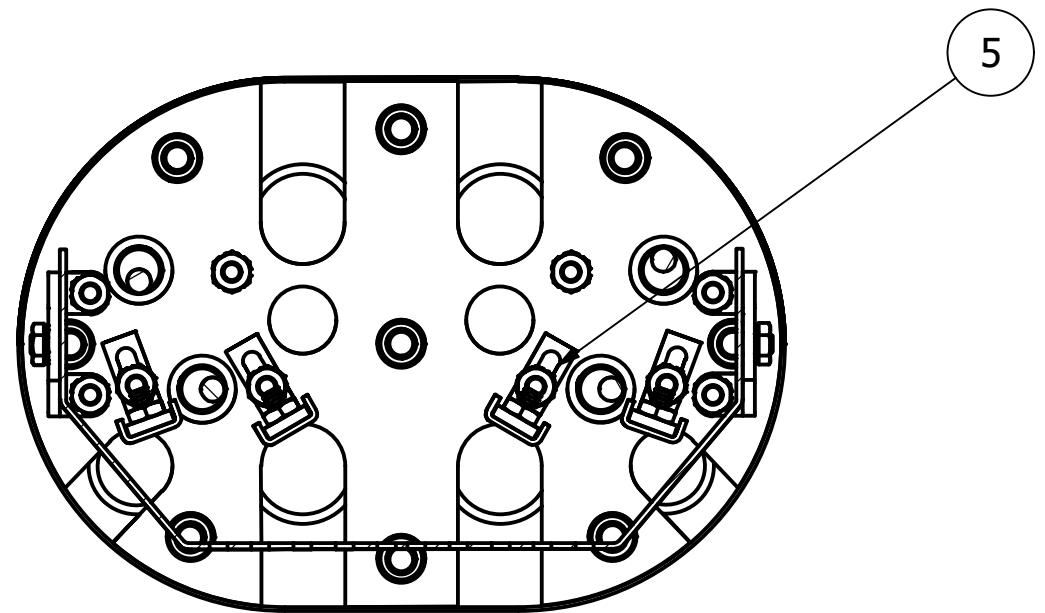
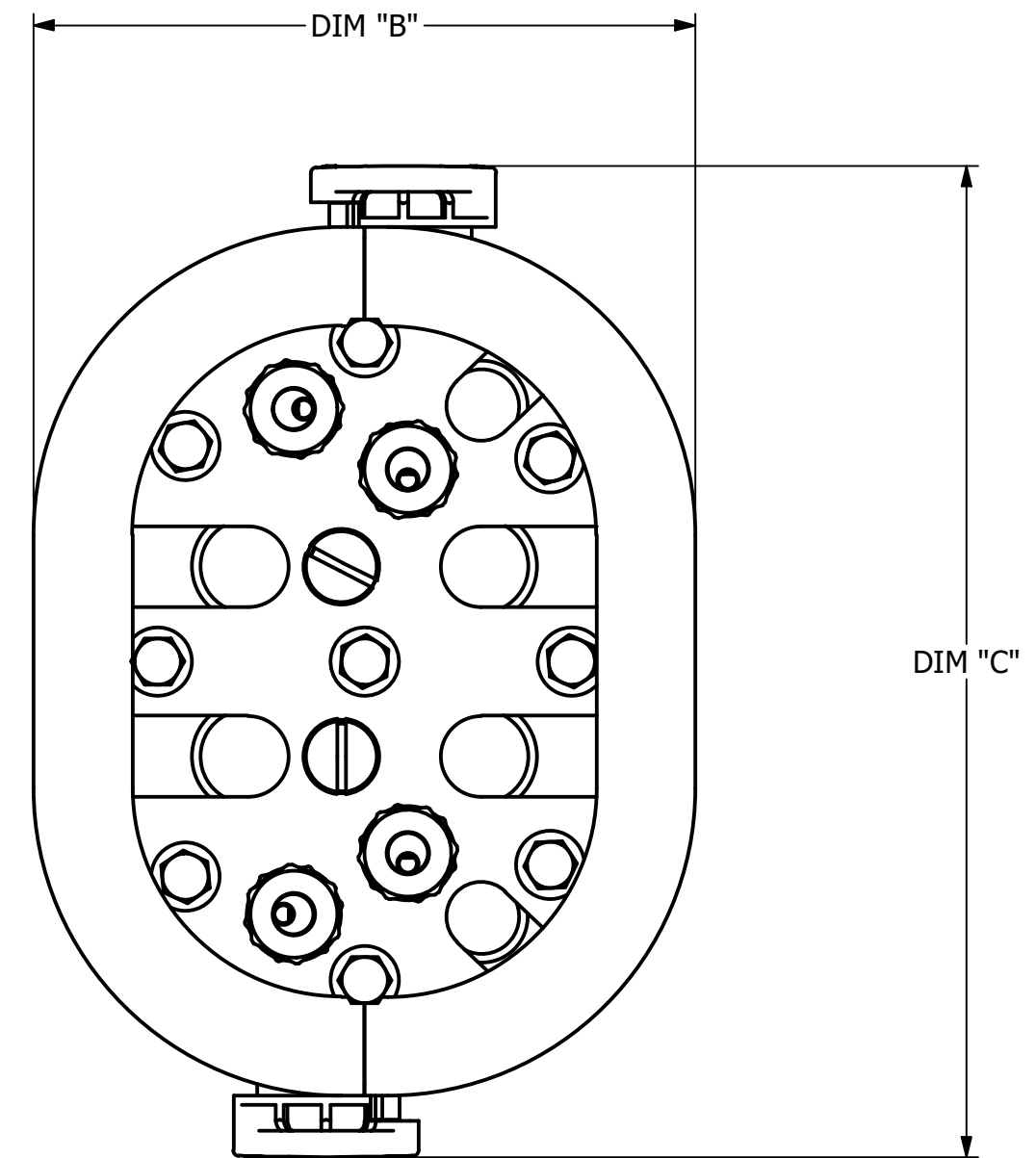
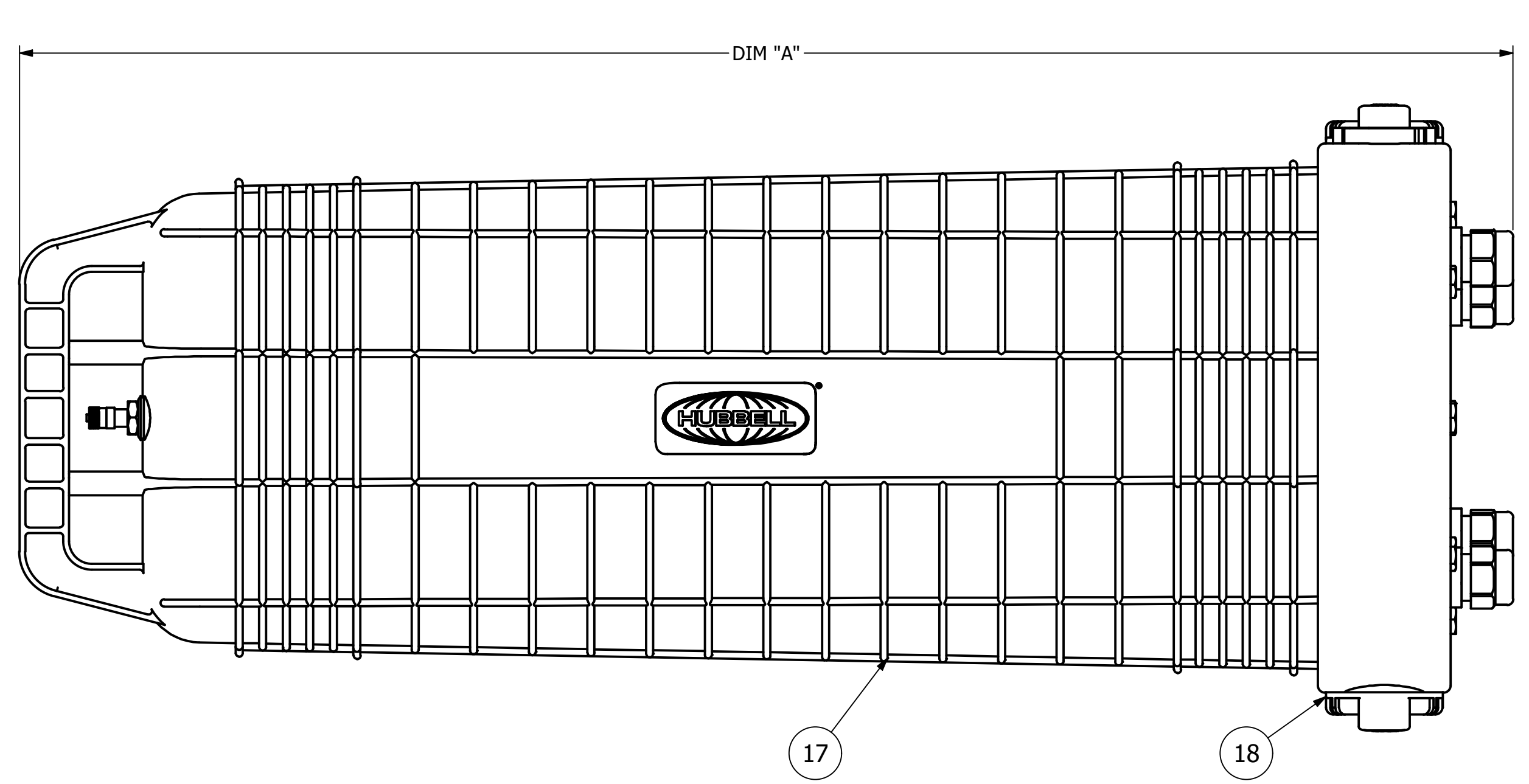


CATALOG NO.	DESCRIPTION	DIM "A" IN. [MM]	DIM "B" IN. [MM]	DIM "C" IN. [MM]	WEIGHT LBS. [KG]	STANDARD PACK	GOODIE BAG
PSCI570S	DOME CLOSURE 570 IG STANDARD TRAY	25.57 [649.48]	7.160 [181.86]	10.726 [272.44]	14.000 [6.35]	1	1

CABLE TYPE	CABLE PORT CAPACITY (DIA.)			
	BACKBONE		LATERAL	
	MIN.	MAX.	MIN.	MAX.
ARMORED	.250"	.875"	.250"	.750"

ITEM	DESCRIPTION	QTY
1	570 OUTSIDE PLATE, INJECTION MOLDED	1
2	ELASTOMER - 570	1
3	PLATE, INSIDE 570 ALUMINUM	1
4	ASSEMBLY, 570 PLATFORM	1
5	STAND OFF - 6" AND 570	4
6	STORAGE PLATFORM SIDE MOUNT	2
7	12 IN OF PS94905K33 FOR STANDARD TRAY HOLDER	1
8	STRAIN RELIEF	4
9	O-RING	4
10	GROUND ROD ASSEMBLY	4
11	PLUG, 1/2-NPT THREADED	2
12	5/16-18x 2.25 HEX CAP SCREW, 316 STAINLESS STEEL	9
13	5/16 FLAT WASHER, 316 STAINLESS STEEL	9
14	24 IN VELCRO FOR 570 PLATFORM	1
15	3.5 IN NEOPRENE TAPE	2
16	K-LOCK NUT, #10-24, ZINC PLATED	14
17	570 DOME HOUSING ASSEMBLY	1
18	570 COLLAR ASSEMBLY	2
19	350 GOODIE BAG (NOT SHOWN)	1
20	INSTRUCTION SHEET (NOT SHOWN)	1



GOODIE BAG		
ITEM	DESCRIPTION	QTY
1	24" SPIRAL WRAP	1
2	RTV SILICONE ADHESIVE & SEALANT, ORIGINAL PACKAGE	1
3	ROLL OF 7 PCS OF VELCRO QWIKTIE	1

NOTES:

- ALL DIMENSIONS FOR REFERENCE ONLY. DISTANCE IN. [MM], FORCE LBS. [kN], TORQUE IN. LBS. [N.m], & WEIGHT LBS. [KG]
- RATINGS:
A. NA
- CERTIFICATIONS, SPECIFICATIONS, & STANDARDS:
A. NA
- SUFFIXES & VARIANT CONFIGURATION:
A. NA

EC #	DATE	CHANGED BY	CHECKED BY	APPROVED BY	WEIGHT, LBS
210226005461	02/26/21	MK	AA	SD	SEE TABLE
DESCRIPTION:					INITIAL RELEASE
ADDITIONAL COMMENTS: -					

THIRD ANGLE PROJECTION

CONFIDENTIAL: THIS DRAWING AND ITS CONTENTS ARE CONFIDENTIAL AND THE EXCLUSIVE PROPERTY OF HUBBELL POWER SYSTEMS, INC. NO PUBLICATION, DISTRIBUTION OR COPIES MAY BE MADE WITHOUT THE WRITTEN CONSENT OF HUBBELL POWER SYSTEMS, INC. HUBBELL POWER SYSTEMS UNPUBLISHED ALL RIGHTS RESERVED UNDER THE COPYRIGHT LAWS

HUBBELL POWER SYSTEMS, Inc.		TITLE	
		570 IG CLOSURE	
CATALOG NUMBER: SEE TABLE		REV	
SIZE	DWG NO.	PART / ASSY NO.	00
D	CC-27116	SEE TABLE	
SCALE: NTS	DRN BY: MK	DATE: 12/16/20	SHEET 1 OF 1